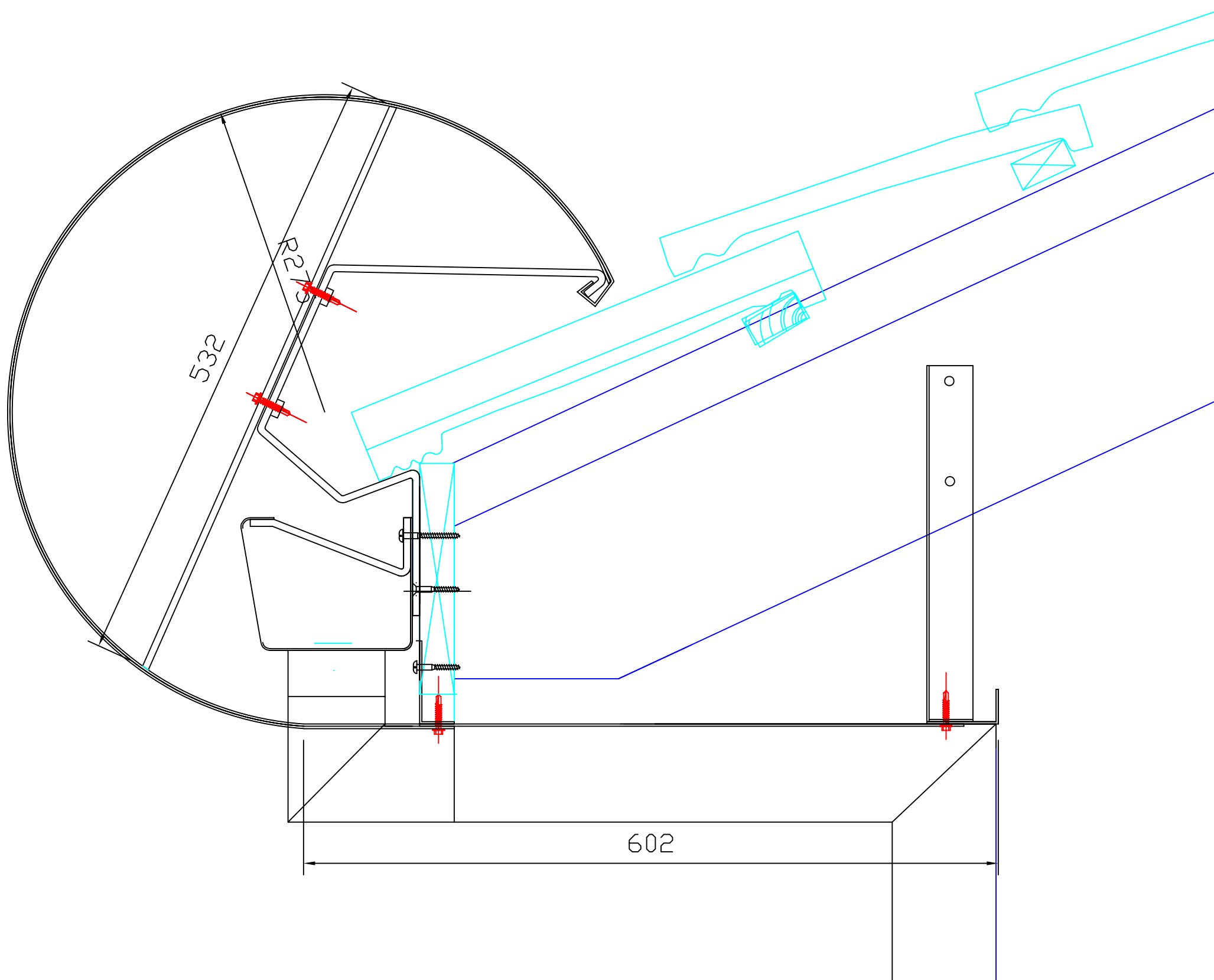


File: _____


1. Alumasc Skyline anti climb Barrier made from 2mm thick aluminium supplied in 1.25mlths fixed and supported by 40x8mm braced unions, bolted to 50x6mm galvanised steel brackets at 625mm centres. Use additional unions as required.
2. 50x6mm thick Alumasc galvanised Steel brkts complete with sloted holes to accomodate barrier union. Contractor to use No12x38mm (50mm long through top strap into fascia) good quality zinc plated or similar screws and washers for fixing to minimum 30mm thick timber fascia board all by others.
3. 150x100mm Alumasc GX Smooth gutter fixed with top straps at 625mm to galvanised steel brkts. (Use 50mm long screw and washer as above) Joint all as per Alumasc standard fixing details.
4. 102mm diameter Drop outlet this to connect to Alumasc Guardian V40 RWP two part offset.
5. 2mm thick Alumasc flat soffit fixed as shown to galvanised steel L shape supports fixed to timber work by others. Soffit to be supplied in 1.25mlth complete with union clips in the running length. Soffit to have ventilation slots along its length.

PLEASE NOTE CONTRACTOR TO SLOT ALL FIXING HOLES ON SITE FOR EXPANSION TO TAKE PLACE, USE SILICONE SEALANT TO SEAL. ALUMASC TO MANUFACTURE ANGLES IN HOUSE IN TWO PARTS, THESE TO BE SUPPLIED TO SITE FOR THE CONTRACTOR TO SITE CUT OR TRIM AS REQUIRED. CONTRACTOR TO USE INSULATION TAPE OR SILICONE BETWEEN GAL AND ALU

REFER TO ALUMASC TECHNICAL FOR FURTHER INFORMATION WHEN INSTALLING.



Note: This drawing is intended to illustrate the correct application of Alumasc products only. All other elements are shown indicatively and it is not the intention to detail building construction.

 <p>alumasc EXTERIOR BUILDING PRODUCTS</p>	ALUMASC EXTERIOR BUILDING PRODUCTS LTD		Drawing title:					
	White House Works, Bold Road, Sutton		Indicative Eaves Detail					
	St Helens, Merseyside, WA9 4JG, UK		including Anti-climb Barrier					
	Telephone: +44 (0)1744 648400		Detail is valid only when approved by the Architect / Contractor concerned					
Facsimile: +44 (0)1744 648401		Drawing No:	Scale:	Drawn by:				
Website: www.alumasc-exteriors.co.uk		SKY-D-23	NTS	SRP				
E-mail: technical@alumasc-exteriors.co.uk		Revision:	Date:					
			July 2009					
		Rev date:	Drawn by:	Revision:	Description:			

© Copyright reserved