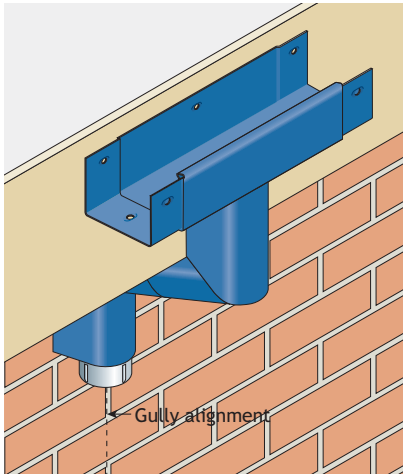


Installation - Guardian Rainwater Pipe

Guardian is a range of flush fitting architectural feature pipes in round, square and rectangular pipe section with factory fitted internal spigots and fully concealed bracketry. Pipe systems are assembled from ground upwards and are designed to be unrippable, providing a high level of security.

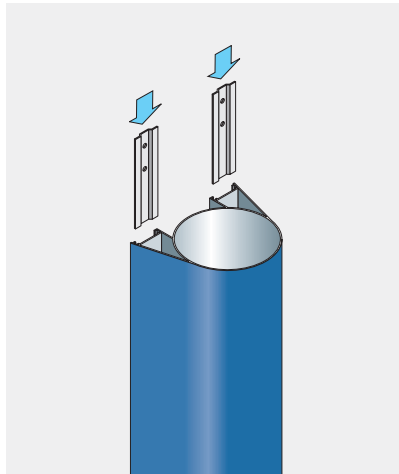
Pipe Alignment



Guardian pipes are assembled from ground upwards.

Use a plumb line to ensure correct alignment between gully at ground level and the gutter outlet.

Pipe Fixing Plates

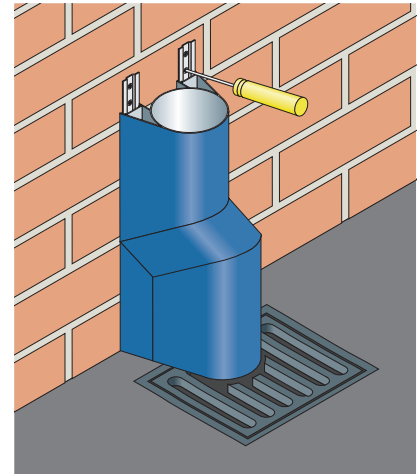


When joining pipe lengths tap two fixing plates per pipe connection into the pipe receiver rails using a block of wood to prevent damage.

The fixing plates have "stops" to limit insertion.

Fix to the wall using No12 x 38mm pan head screws.

Gully Connection

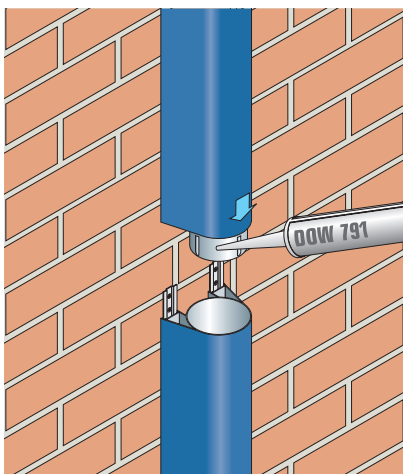


Commence installation by fitting fixing plates to the drain connector component and then fixing to the wall.

This component may be either a plain pipe section or include a rodding access.

Where the gully position is away from the wall, a shroud is available in order to eliminate gap. (Full site dimensions required).

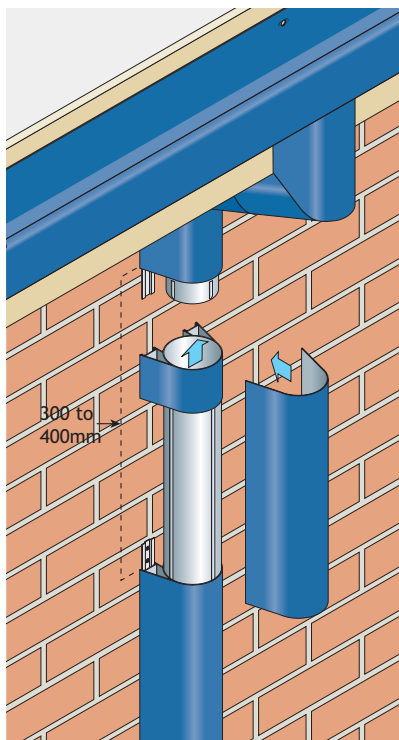
Pipe Assembly



Pipe lengths are connected by sliding new pipe sections down over the fixing plates of the pipe below.

Seal spigot joints by applying DOW 791 silicone sealant to spigot and receiving pipe end.

Make Up Piece, Offsets and Gutter Connections



Build up and trim stack to within 300/400mm of underside of gutter and secure with fixing plates.

Insert telescopic section into stack below offset position, (if there is no offset use a straight make-up piece of equal length).

Fit the offset into the make up piece then lift up offset and make up piece to test the fit to the gutter spigot.

Cut a cover piece to fit gap created by the make up piece.

Apply DOW 791 silicone sealant to gutter spigot and adhere cover piece into position.