

Environmental Datasheet

Aluminium Fascia & Soffit Systems

Ref: ED002RW

Alumasc aluminium Fascias and Soffits provide a range of Aluminium roof edge details for medium and large scale commercial and stadia applications. The range includes standard contemporary and anti-climb designs as well as bespoke fabrication options.

Materials

Alumasc Fascias and Soffits are extruded and fabricated under ISO9001 Quality management controls in a range of highly durable alloys. All components are manufactured, procured and developed under Alumasc's company wide environmental policy and in accordance with their ISO14001:2004 Environmental Management System accreditation.

Manufacture

Alumasc Aluminium fascia and soffit systems are manufactured and independently assessed at Alumasc's Burton Latimer site under their ISO 14001:2004 based Environmental Management System. This not only ensures that upstream production processes have monitored for their environmental impact, but that due consideration is taken for all aspects of packaging, transport and disposal, in order to deliver as sustainable a rainwater product as practicable.

BREEAM Credits

Alumasc aluminium fascia and soffit systems are able to contribute fully to achieving BREEAM credits for responsible sourcing of materials and as part of the overall building envelope design.

Powder Coating

In house, BBA certified, powder coating processes have recently undergone development to remove usage of hazardous materials and discharges as part of an ISO14001:2004 coordinated programme of environmental management.

Recyclability

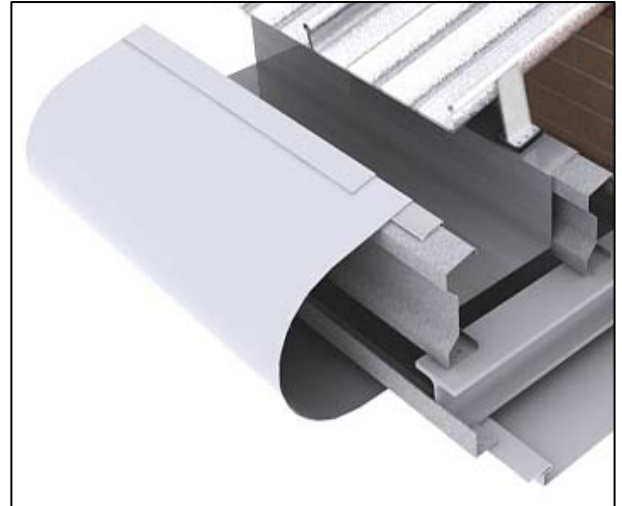
Aluminium is truly 100% recyclable and is routinely recycled and reused in the manufacture of all Alumasc extruded and fabricated products during its in house processing. All finished goods benefit being made from world wide aluminium stocks made up of 70% recycled material.

Life Expectancy

Alumasc aluminium fascias and soffits have a life expectancy in excess of 40 years. This greatly enhances the product's cradle to grave embodied energy figure relative to systems with shorter life spans. This also results in the removal of the appreciable costs, both environmental and monetary, of product replacement.

Ecological information

Alumasc aluminium fascia and soffit products contain no toxic substances and perform excellently when assessed from cradle to grave for effects on water quality (eutrophication) and water and ground contamination (ecotoxicity).



Skyline Bullnose Fascia & Soffit System